

Performance.
Durability.
Profitability.



As a business owner you want to ensure that all available profit centers on your property convey a clear concise message in regard to your product offerings. The all "NEW" Air Machine designed by Industrial Vacuum Systems is that product.

With a streamlined, sleek design, curb appeal and the IVS name stamped on the front, you know you have made the next profitable choice for your business or carwash site.

www.IVS-Vacuum.com
800.968.8227

INDUSTRIAL VACUUM SYSTEMS
INCREDIBLY POWERFUL



Overview:

- Industrial Vacuum Systems proprietary Air Compressor
- 1-85 psi tire inflation
- 1/4" steel braided rubber 25' air hose assembly
- 14 gauge stainless steel construction
- Air inflation gauge
- Concealed pin lock locking mechanism
- Optional hose hanger mounting
- Internal coin drawer with lock mounting
- 110v accumulating timer assembly

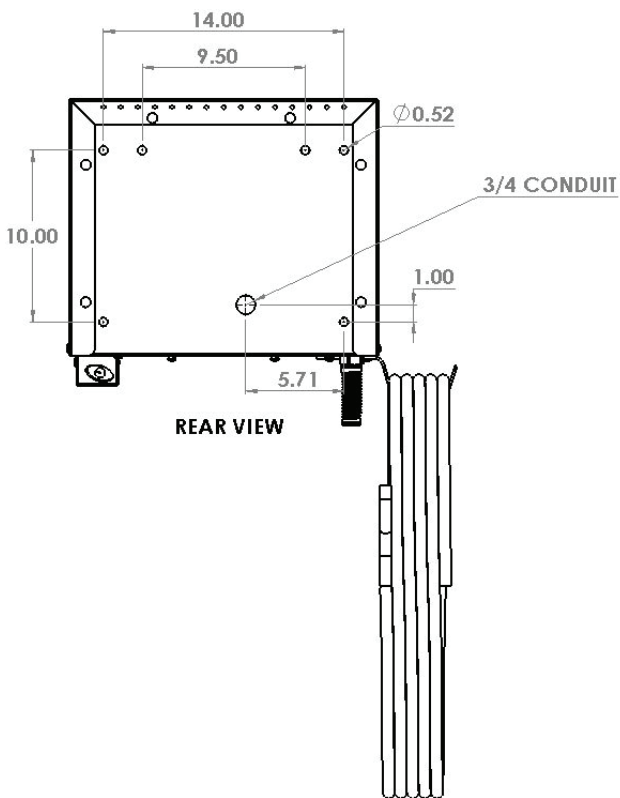
Product Options:

- Imonex mechanical coin acceptor (standard)
- Sensortron single coin electronic coin acceptor (optional)
- Multitron World Edition electronic coin acceptor (optional)
- IDX MA-820 coin acceptor (optional)
- Mars MEI 1,5 bill acceptor assembly (optional)

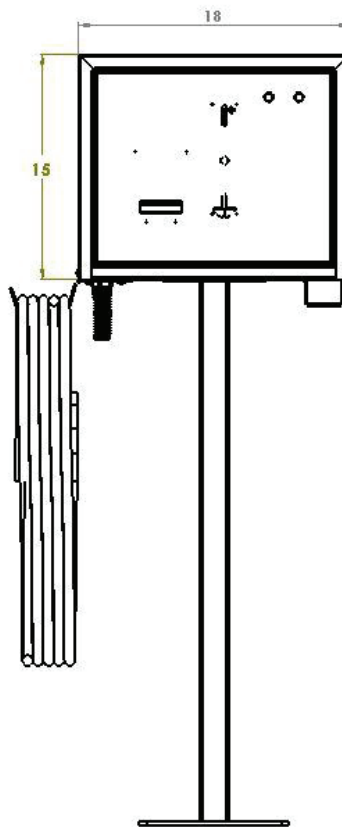
Power Requirements:

- 120 vac single phase 15 amp dedicated power feed circuit

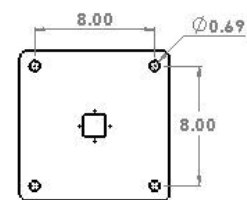
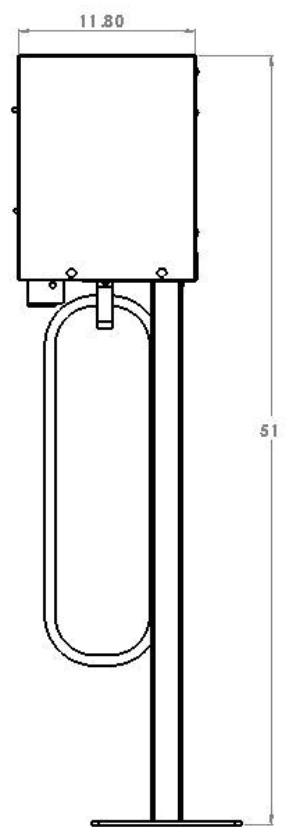
Wall or Post Mount



Pedestal Mount



Side View



Pedestal Mounting Plate



INCREDIBLY POWERFUL

INDUSTRIAL VACUUM SYSTEMS